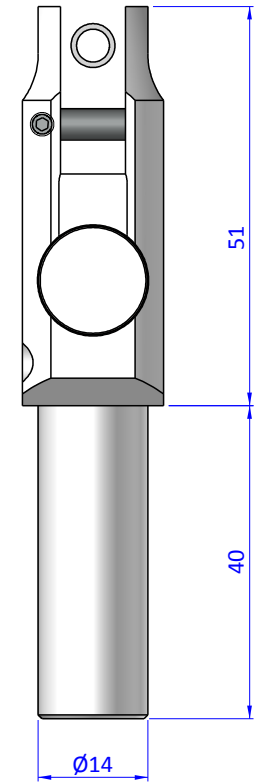
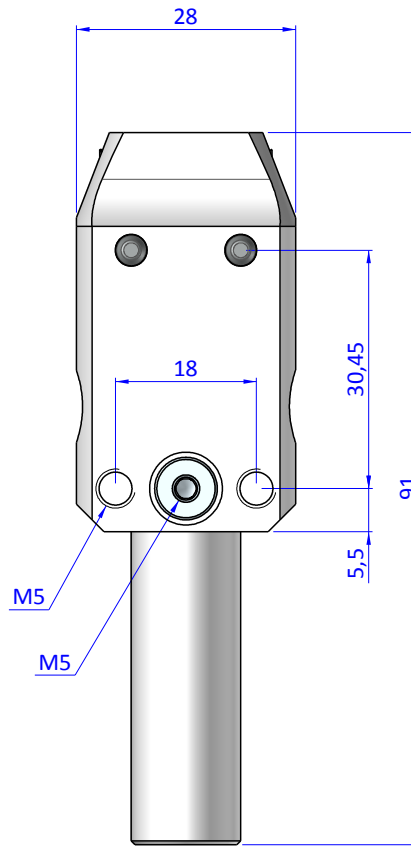
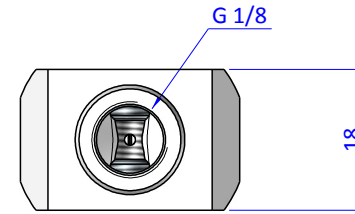
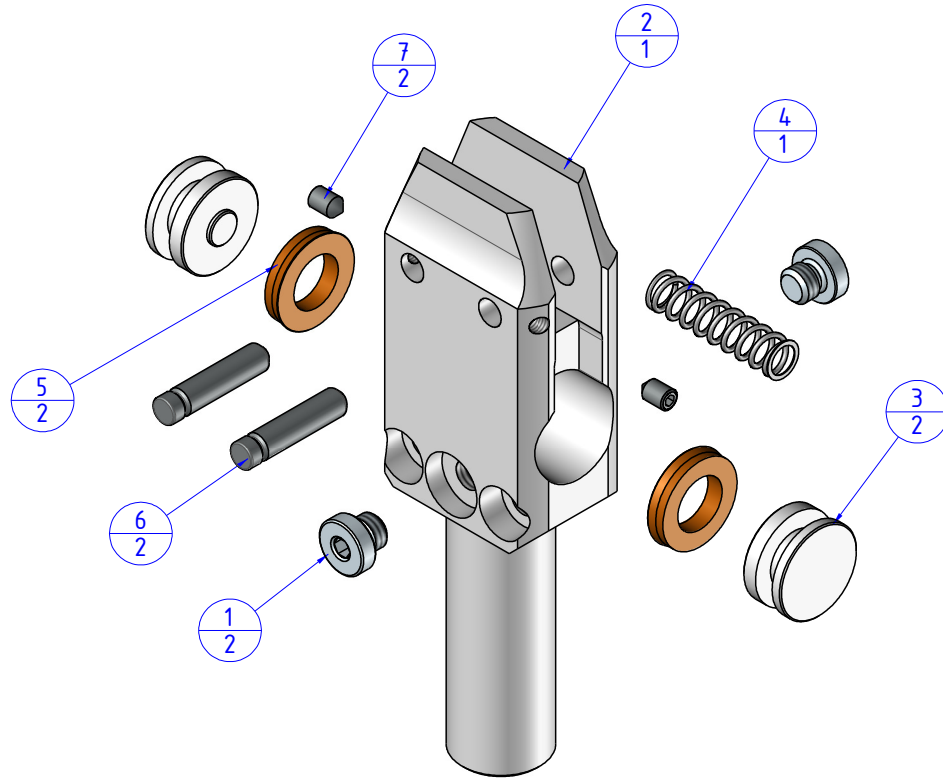



THE PROPERTY OF THE DRAWING IS ESTABLISHED BY LAW. IT IS FORBIDDEN TO PRODUCE OR SHOW IT TO THIRD PARTY, WITHOUT A WRITTEN AGREEMENT.

Item	Name	Q.ty
1	CA.08.14.013	2
2	GTS.1003.01.18	1
3	GTS.1003.02	2
4	M.5,6x22	1
5	PSP.1408255	2
6	SP.4X18M6.LAV	2
7	V.ST M3X5	2



Format A3

UNI 936-76

 FPS FPSERVICES AUTOMATION		DESIGNED FROM	REVIEW
		FPS Automation	A
GENERAL TOLERANCE	DESCRIPTION	DATE	WEIGHT
UNI - ISO 2768	GTS.03.G18	22/03/2019	0,051kg
CLASSE f		CODE	GTS.03.G18